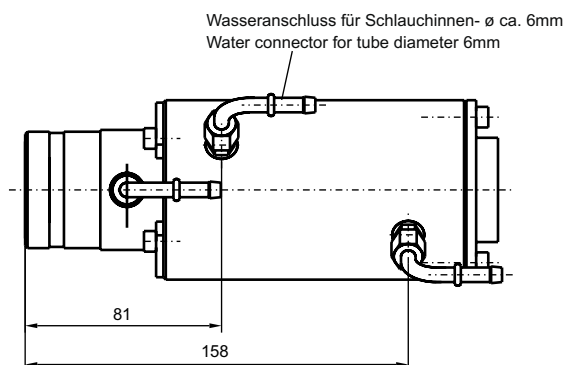
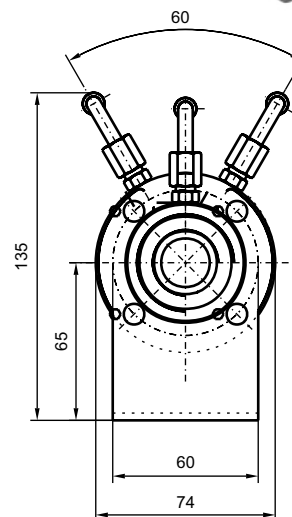
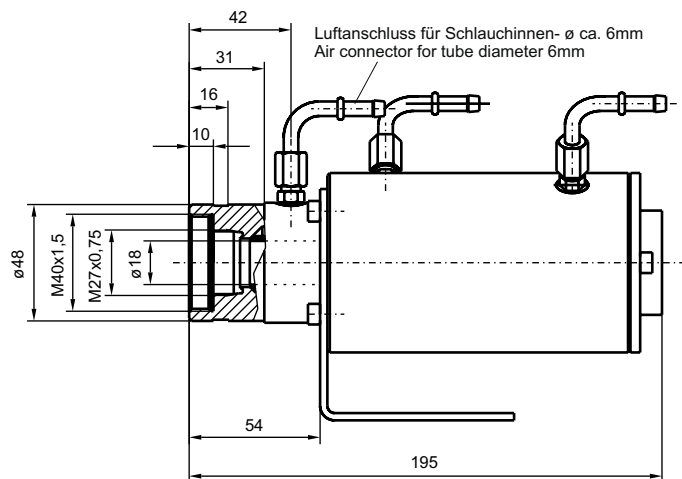
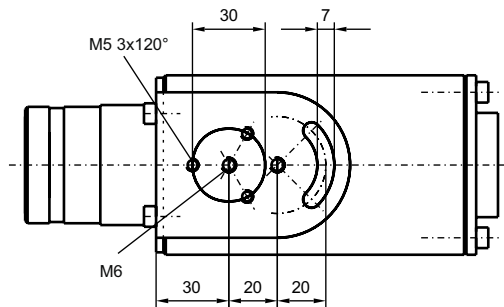


3 837 360



Kühlgehäuse - Serie 200 Cooling jacket - Series 200



Aussentemperatur / Ambient temperature : max. 200°C
max. Wasserdruck / Water pressure max. : 6 bar
Wassermenge / Water consumption (20°C) : 4 l/min

Gewicht / Weight : 2,55 kg

Ind	-	Na.	Dn.	gepr.	3 837 360 Ma
-----	---	-----	-----	-------	--------------