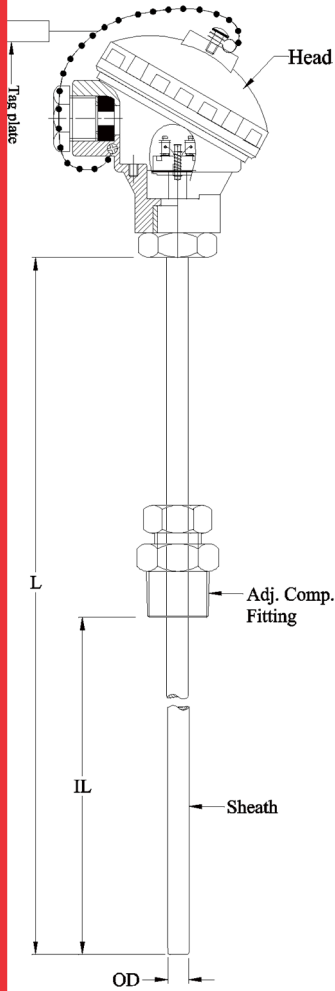


RTD WITH HEAD & FITTING

R- 101


RTD Element

A	Pt-100x1, Simplex
B	Pt-100x2, Duplex
O	Consult Factory

Termination Style

C	Connection Head IP-67
M	Miniature Head
D	Double entry Head IP-65
E	Ex. Proof Head IIA/IIB
P	Plastic Head
Other	Consult Factory

Junction Style

W2	2- Wire
W3	3- Wire
W4	4- Wire

Sheath "OD"

3	Ø3mm
4.5	Ø4.5mm
6	Ø6mm
8	Ø8mm

Sheath Material

316	SS 316
304	SS 304
Other	Consult Factory

Fitting

Threads	1/4"
	1/2"
	3/4"
	3/8"
	1"
	1 1/4"
B.S.P. / N.P.T.	1 1/2"
	2"
M-Thread	M20X1.5, M18X1.5, M33X2
Other	Consult Factory

Insertion Length "I.L."

Nominal Length of RTD (L)

Temperature Sensor Technology