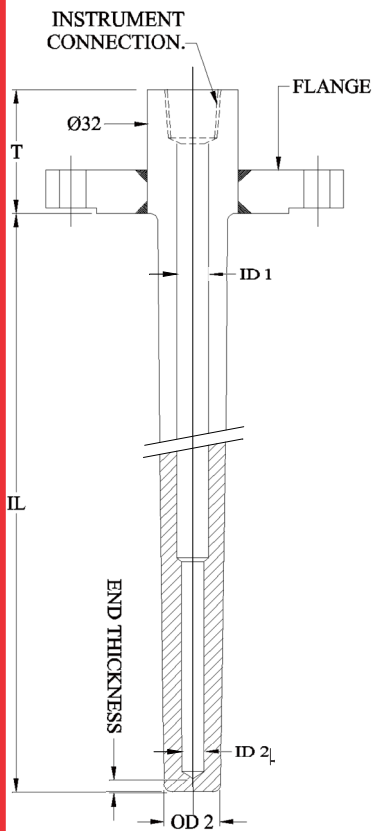


FLANGE WITH TAPERED & STAPPED THERMOWELL

A - 115



Thermowell Material

304	SS 304
310	SS 310
316	SS 316
600	Inconel-600
800	Inconel-800
446	HRS- 446
Other	Consult Factory

Thermowell Dia.
OD X ID1 X ID2

End Thickness

Process Conn.

Flange Rating	Standard of Flange
# 150	1/2"
	3/4"
# 300	1"
	1 1/2"
# 400	1 1/4"
	2"

Instrument. Conn.

B.S.P.	1/2"
	3/4"
	1"
N.P.T.	3/8"
	1"
M-Thread	M20X1.5, M18X1.5, M27X2

Length of "T"

Insertion Length "I.L."

Temperature Sensor Technology